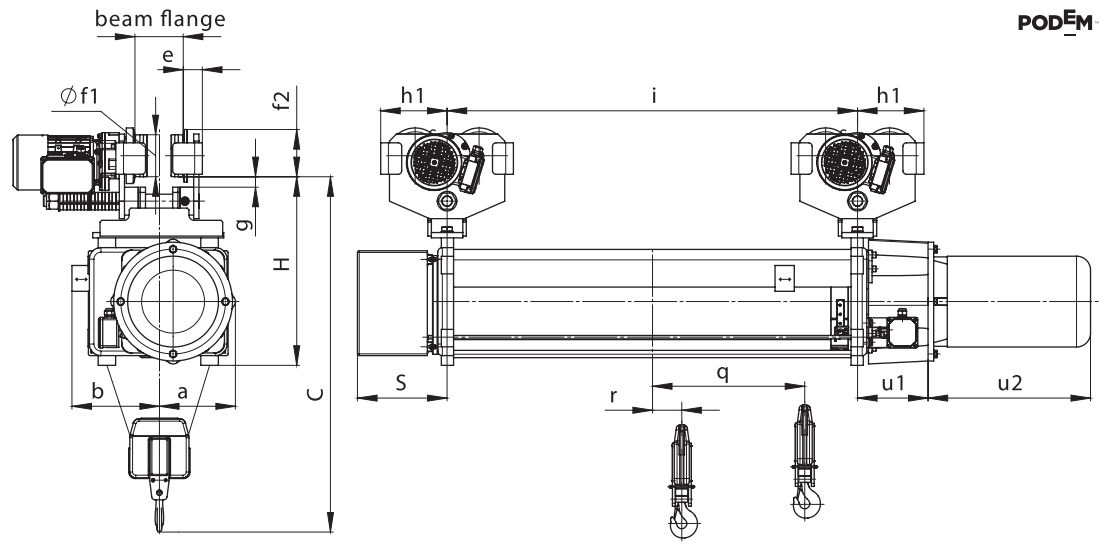


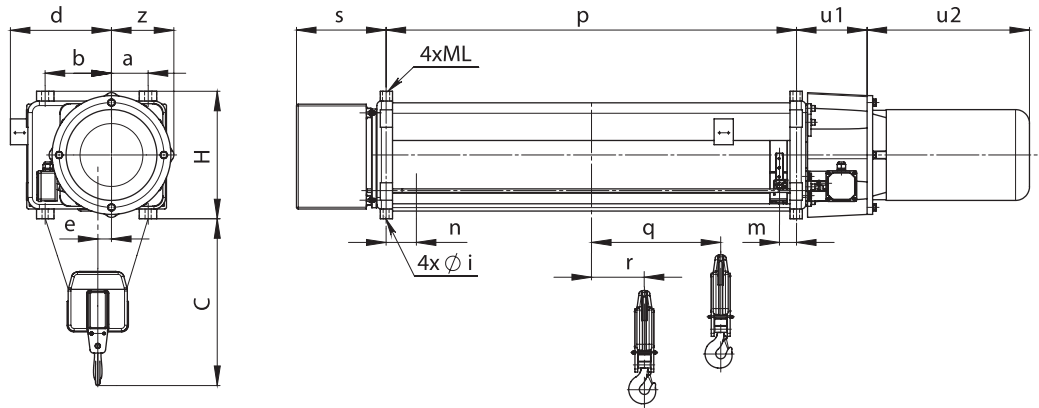
Normal Headroom Hoist



Normal headroom hoist – MTL series, 2 rope falls (reeving 2/1)

Hoist type	Capacity (t)	Groups		Rope (mm)	Hook travel (m)	Lifting speed (m/min)	Dimensions (mm)														Beam flange (mm)		Lifting motor (kW)	Travel motor (kW)	
		FEM	ISO				C	H	a	b	øf1	f2	e	g	h1	i	s	u1	u2	q	r	max			min
MTL312	2.5	2m	M5	ø 10	32	12/4	1210	540	218	300	120	135	55	30	200	1175	275	202	465	457	77	300	130	8.5/2.7	2 x 0.37/0.12
	2.5	2m	M5	ø 10	40	12/4	1210	540	218	300	120	135	55	30	200	1710	275	202	465	725	77	300	130	8.5/2.7	2 x 0.37/0.12
	2.5	2m	M5	ø 10	56	12/4	1210	540	218	300	120	135	55	30	200	1980	275	202	465	860	77	300	130	8.5/2.7	2 x 0.37/0.12
MTL316	3.2	2m	M5	ø 10	32	12/4	1210	540	218	300	120	135	55	30	200	1175	275	202	465	457	77	300	130	8.5/2.7	2 x 0.37/0.12
	3.2	2m	M5	ø 10	40	12/4	1210	540	218	300	120	135	55	30	200	1445	275	202	465	592	77	300	130	8.5/2.7	2 x 0.37/0.12
	3.2	2m	M5	ø 10	56	12/4	1210	540	218	300	120	135	55	30	200	1710	275	202	465	725	77	300	130	8.5/2.7	2 x 0.37/0.12
MTL525	5	2m	M5	ø 12	32	12/4	1363	603	248	323	120	135	55	30	200	1200	306	225	585	463	75	300	130	12/4	2 x 0.37/0.12
	5	2m	M5	ø 12	40	12/4	1363	603	248	323	120	135	55	30	200	1470	306	225	585	598	75	300	130	12/4	2 x 0.37/0.12
	5	2m	M5	ø 12	48	12/4	1363	603	248	323	120	135	55	30	200	1740	306	225	585	733	75	300	130	12/4	2 x 0.37/0.12
	5	2m	M5	ø 12	56	12/4	1363	603	248	323	120	135	55	30	200	2010	306	225	585	868	75	300	130	12/4	2 x 0.37/0.12

Foot Mounted Hoist



Foot mounted hoist – MTL series, 2 rope falls (reeving 2/1)

Hoist type	Capacity (t)	Groups		Rope (mm)	Hook travel (m)	Lifting speed (m/min)	Dimensions (mm)														Lifting motor (kW)			
		FEM	ISO				C	H	a	b	d	e	øi	ML	m	n	p	s	u1	u2		q	r	z
MTL312	2.5	2m	M5	ø 10	32	12/4	670	365	105	190	340	40	17	20	48	56	1175	275	202	465	457	77	178	8.5/2.7
	2.5	2m	M5	ø 10	40	12/4	670	365	105	190	340	40	17	20	48	56	1445	275	202	465	592	77	178	8.5/2.7
	2.5	2m	M5	ø 10	56	12/4	670	365	105	190	340	40	17	20	48	56	1710	275	202	465	725	77	178	8.5/2.7
MTL316	3.2	2m	M5	ø 10	32	12/4	670	365	105	190	340	40	17	20	48	56	1980	275	202	465	860	77	178	8.5/2.7
	3.2	2m	M5	ø 10	40	12/4	670	365	105	190	340	40	17	20	48	56	1175	275	202	465	457	77	178	8.5/2.7
	3.2	2m	M5	ø 10	56	12/4	670	365	105	190	340	40	17	20	48	56	1710	275	202	465	725	77	178	8.5/2.7
MTL525	5	2m	M5	ø 12	32	12/4	760	428	133	212	364	41	21	24	60	61	1200	306	225	585	463	75	207	12/4
	5	2m	M5	ø 12	40	12/4	760	428	133	212	364	41	21	24	60	61	1470	306	225	585	598	75	207	12/4
	5	2m	M5	ø 12	48	12/4	760	428	133	212	364	41	21	24	60	61	1740	306	225	585	733	75	207	12/4
	5	2m	M5	ø 12	56	12/4	760	428	133	212	364	41	21	24	60	61	2010	306	225	585	868	75	207	12/4

Podemcrane AD
 1 General Nikolov St.
 5300 Gabrovo, Bulgaria
 t +359 66 801 375
 f +359 66 801 390
 sales@podem.bg
 podem.bg

