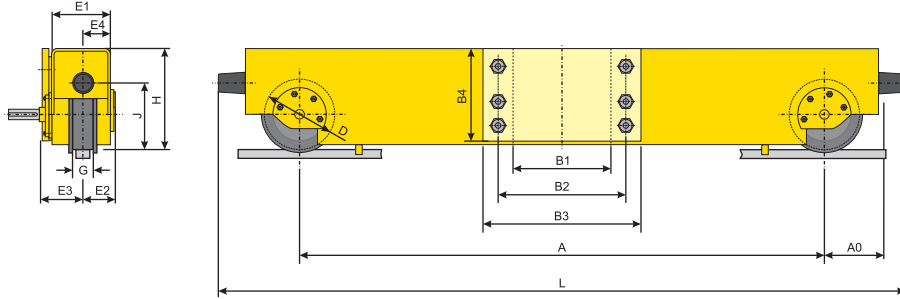


End-carriages

Single & Double Girder

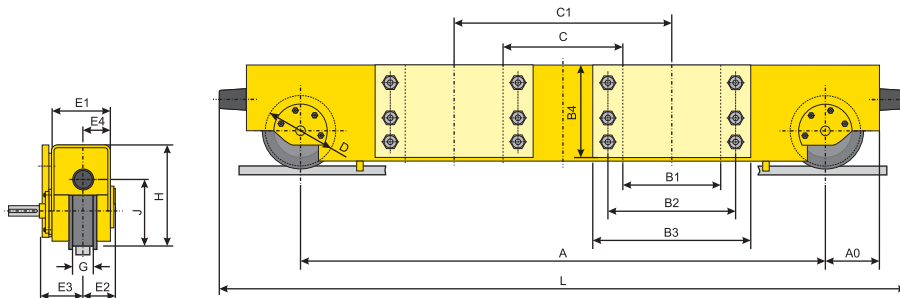
Podemcrane manufactures motorized end carriages for single or double girder cranes. The design is done according to the span of the crane. The standard types are given in the bottom tables.



Technical features:

- Standard speed - 30/10 m/min, dual speed (optional 40 m/min, other speed and inverter control)
- End carriage profile: Rectangular tube or welded structure
- Cranes girder connection: High-tensile bolt connection (other options on request)
- Ambient temperature: -20 °C to +40 °C (other ambient temperatures on request)
- Suspension end-carriages as option

Single girder end carriages																								
№	Type	Capacity (t)	Group FEM/ISO	Max Span (m)	Dimensions (mm)																LT Motor-gearboxes		Max. wheel load (kg)	Weight (kg)
					D	G	A	Ao	L	H	E1	E2	E3	E4	B1	B2	B3	B4	J	Q-ty	Power (kW)			
1	GO 1160-1500-V1	5	2m/M5	12	160	60	1500	120	1860	280	150	93	105	75	130	220	320	250	180	2	0,18/0,55	3300	350	
2	GO 1160-2200-V1	5	2m/M5	15	160	70	2200	120	2560	280	150	93	105	75	130	220	320	250	180	2	0,18/0,55	3550	420	
3	GO 1200-3650-V1	5	2m/M5	24	200	70	3650	150	4120	420	200	134	130	100	296	380	460	400	220	2	0,37/1,1	4500	1050	
4	GO 1200-2350-V1	6,3	2m/M5	16	200	70	2350	150	2770	320	200	134	130	100	130	220	320	300	220	2	0,37/1,1	4350	710	
5	GO 1200-2650-V1	6,3	2m/M5	18	200	70	2650	150	3120	320	200	134	130	100	296	380	460	300	220	2	0,37/1,1	4650	760	
6	GO 1250-1800-V1	10	2m/M5	12	250	70	1800	165	2250	425	200	134	144	100	296	380	460	400	280	2	0,37/1,1	6000	810	
7	GO 1250-2650-V1	10	2m/M5	18	250	70	2650	165	3150	425	200	134	144	100	296	380	460	400	280	2	0,37/1,1	6650	950	
8	GO 1250-3650-V1	10	2m/M5	25	250	70	3650	165	4150	425	200	134	144	100	296	380	460	400	280	2	0,55/1,5	7800	1560	
9	GO 1315-2600-V1	16	2m/M5	18	315	80	2600	190	3140	475	250	165	169	125	296	380	460	450	280	2	0,55/1,5	10500	1250	

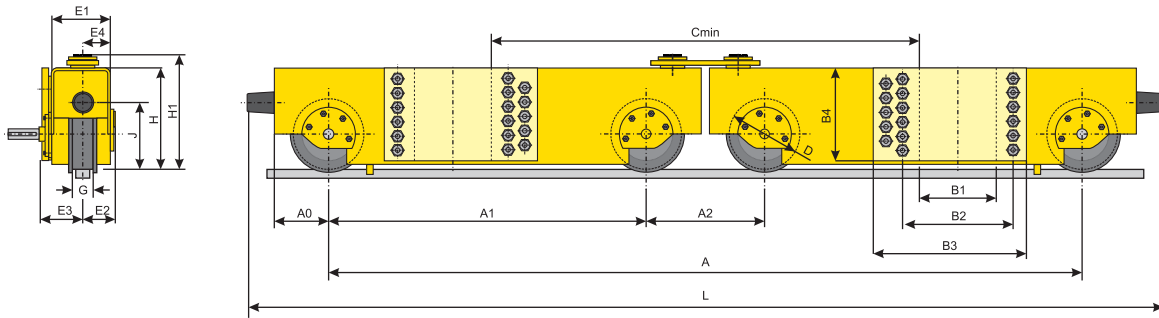


Double girder end carriages																								
№	Type	Capacity (t)	Group FEM/ISO	Max Span (m)	Dimensions (mm)																LT Motor-gearboxes		Max. wheel load (kg)	Weight (kg)
					D	G	A	Ao	L	H	E1	E2	E3	E4	B1	B2	B3	B4	C	J	Q-ty	Power (kW)		
1	GO 2160-2000-V1	5	2m/M5	12	160	70	2000	120	2360	280	150	100	105	75	130	220	320	250	*1000	180	2	0,18/0,55	3750	440
2	GO 2200-3150-V1	5	2m/M5	21	200	70	3150	150	3570	320	200	135	130	100	260	380	460	300	1000	220	2	0,37/1,1	4840	890
3	GO 2250-3700-T-V1	5	1Am/M4	25	250	70	3700	200	4245	375	210	115	165	80	370	455	535	250	1000	220	2	1,5	8800	1025
4	GO 2250-4600-T-V1	5	1Am/M4	32	250	70	4600	200	5145	385	210	115	165	80	460	540	620	250	1000	220	2	1,5	6800	1235
5	GO 2200-2500-V1	6,3	2m/M5	17	200	70	2500	150	2920	320	200	135	130	100	130	220	320	300	*1000	220	2	0,37/1,1	5210	770
6	GO 2250-3700-T-V1	6,3	1Am/M4	25	250	70	3700	200	4245	375	210	115	165	80	370	455	535	250	1000	220	2	1,5	8800	1025
7	GO 2315-4600-T-V1	6,3	1Am/M4	32	315	80	4600	240	5328	493	230	130	180	90	460	540	620	310	1000	280	2	1,5	10600	1650
8	GO 2250-2500-V1	10	2m/M5	17	250	70	2500	165	2950	425	200	135	144	100	260	380	460	400	*1000	280	2	0,55/1,5	7020	1030
9	GO 2250-3150-V1	10	2m/M5	21	250	70	3150	165	3600	425	200	135	144	100	460	540	620	400	1000	280	2	0,55/1,5	7680	1210
10	GO 2250-3650-V1	10	2m/M5	25	250	70	3650	165	4100	425	200	135	144	100	460	540	620	400	1000	280	2	0,55/1,5	8400	1290
11	GO 2315-4600-T-V1	10	1Am/M4	32	315	80	4600	240	5328	493	230	130	180	90	460	540	620	310	1000	280	2	1,5	10600	1650
12	GO 2315-3150-V1	16	2m/M5	18	315	80	3150	190	3680	475	250	168	169	125	460	540	620	450	1200	280	2	0,75/2,2	10700	1520
13	GO 2315-3600-V1	16	2m/M5	25	315	80	3600	190	4130	475	250	168	169	125	460	540	620	450	1200	280	2	0,75/2,2	11830	1610
14	GO 2400-4600-T-V1	16	1Am/M4	32	400	90	4600	300	5440	580	224	165	165	112	510	590	670	350	1200	280	2	2,2	18000	2290
15	GO 2315-3150-V1	20	2m/M5	18	315	80	3150	190	3680	475	250	168	169	125	460	540	620	450	1450	280	2	0,75/2,2	12940	1520
16	GO 2315-3700-T-V1	20	1Am/M4	24	315	80	3700	240	4428	483	230	130	180	90	420	505	585	310	1450	280	2	1,5	14800	1400
17	GO 2400-4600-T-V1	20	1Am/M4	32	400	90	4600	300	5440	640	228	165	165	114	510	590	670	350	1450	280	2	2,2	21200	2730
18	GO 2400-3500-V1	25	2m/M5	22	400	90	3500	240	4240	525	300	190	196	150	462	540	620	500	1450	220	2	4	17950	3050
19	GO 2400-4600-T-V1	25	1Am/M4	32	400	90	4600	300	5440	640	228	165	165	114	510	590	670	350	1450	280	2	2,2	21200	2730

* Dimension C1 – for I-beam girders the max.
 Wheel loads are calculated based on:
 – LT speed 30 m/min
 – On rail width of 50 mm / wheels up to 250 mm, a rail 60 mm width / up to 315 mm, a rail 70 mm width / up to 500 mm
 Weight is for 2 end-carriages with gearmotors

End-carriages

Double Girder End-carriages – Bogie type



Double Girder End-carriages – Bogie type

№	Type	Capacity (t)	Group FEM/ISO	Max Span (m)	Dimensions (mm)																	LT Motor-gearboxes		Max. wheel load (kg)	Weight (kg)		
					D	G	A	A0	A1	A2	L	H	H1	E1	E2	E3	E4	B1	B2	B3	B4	J	Cmin, mm			Q-ty	Power (kW)
1	GB 2315-3500-V1	32	2m/M5	26	315	80	3500	190	1550	400	4110	475	550	250	170	169	125	460	540	680	450	280	1900	4	2,2	12500	2500
2	GB 2400-3500-V1	40	2m/M5	28	400	90	4000	240	1750	500	4740	525	600	300	190	196	150	666	770	910	500	280	1900	4	3	18500	3400

The max. wheel load are calculated based on:
 – LT speed 30 m/min
 – On rail 60 mm width/up to 315 mm, a rail 70 mm width/ up to 400 mm
 Weight is for kit (end-carriages with gearmotors)

Standard **Underslung End-carriages** are designed for load capacities up to 10 t and spans up to 16 m. Efficient crane solutions in tight spaces with difficult design conditions and with minimum side approach dimension and cantilevers to use the full space available.

